

Lab Ovens

from Quincy Lab, Inc.



FEATURING

- Air Forced & Gravity Convection
- Durable Double-wall Construction
- Scratch-resistant Hammer Finish
- Corrosion-resistant Aluminized Interior
- Proven Reliability
- Full 18-month Factory Warranty

MODEL 40AF

MODEL 30GC

MODEL 10GC

MODEL 20AF

Advanced Design

Cabinets are as attractive as they are durable. Exteriors are painted light gray and have a hard, scratch-resistant hammer finish. Doors open with high-impact thermoplastic handles. Cabinets have heavy steel double-wall construction. Work space is insulated from the outer cabinet with one inch of high-density mineral wool, and interiors are made of corrosion-resistant aluminized steel.

Controls

Quincy Lab uses quality UL and CSA recognized components in all ovens. The control panel is equipped with an

illuminated ON/OFF rocker switch and a heat-cycle pilot light. Temperature is controlled by automatic hydraulic or a bimetal thermostat (models 10GC & 10AF). Hydraulic models offer convenient temperature dial markings in both centigrade and Fahrenheit.

Heating Elements

Energy-efficient, low-watt density incoloy sheathed elements are engineered into a compact design for quick run-up and recovery times. Temperature uniformity is greatly improved by a perforated heat shield which absorbs radiant heat and distributes it more evenly.

GC and AF Models

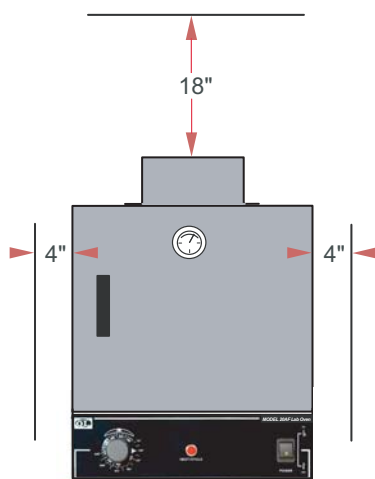
The 'GC' series gravity convection ovens are designed to meet the laboratory needs of industry, research organizations, and schools. Well-crafted and versatile, they are used for part drying, baking, curing, sterilizing, evaporating, heat treating, annealing, and testing. The 'AF' series models offer a forced air circulation allowing for a more uniform distribution of heat throughout the chamber, which also facilitates evaporating. Both GC and AF series ovens have a temperature range to 450°F / 232°C, and are competitively priced and offer exceptional value and reliability.



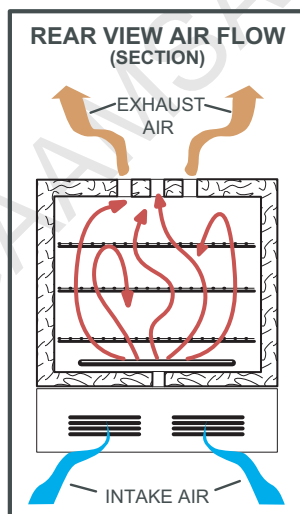
GENERAL SPECIFICATIONS	MODEL 10GC	MODEL 20GC	MODEL 30GC	MODEL 40GC	MODEL 10AF	MODEL 20AF	MODEL 30AF	MODEL 40AF
INTERIOR DIMENSIONS								
INCHES W x H x D	12x10x10	13x13x13	18x15.6x12	18x21.8x14	12x8.25x10	13x11x13	18x14.2x12	18x19.8x14
(CM) W x H x D	30.5x25.4x25.4	33x33x33	45.7x39.6x30.5	45.7x55.4x35.6	30.5x21x25.4	33x28x33	45.7x36x30.5	45.7x50.3x35.6
EXTERIOR DIMENSIONS								
INCHES W x H x D	14x17.5x12.3	15x21.5x15.3	20x25.5x14.3	20x31.5x16.3	14x20.5x12.3	15x25x15.3	20x29x14.3	20x35x16.3
(CM) W x H x D	35.6x44.5x31.2	38x54.6x38.9	50.8x64.8x36.2	50.8x80x41.4	35.6x52x31.2	38x63.5x38.9	50.8x73.7x36.2	50.8x89x41.4
CAPACITY								
CUBIC FEET	0.7	1.27	2.0	3.0	0.6	1.14	1.83	2.86
(LITERS)	19.8	36	56.6	85	17	32.3	51.8	81
TEMPERATURE MAXIMUM								
FAHRENHEIT	450	450	450	450	450	450	450	450
CENTIGRADE	232	232	232	232	232	232	232	232
SHELVES (1" CENTERS)								
MAXIMUM PER UNIT	10	13	16	22	8	11	14	20
MAXIMUM POUNDS / SHELF	35	35	35	35	35	35	35	35
ELECTRICAL*								
VOLTS/AMPS	115/5.2	120/6.3	115/10.5	120/12.5	120/6.6	120/8.8	120/12.5	120/12.5
WATTS	600	750	1200	1500	800	1050	1500	1500
PLUG/NEMA	5-15P	5-15P	5-15P	5-15P	5-15P	5-15P	5-15P	5-15P
WEIGHT								
SHIPPING	42.6	57	76.2	91.5	50.4	65.7	84.2	98.5
STAND ALONE	31.4	43.5	57.2	72.5	37.2	58.7	64.2	80.8

* Standard models voltage only, 230 voltage available.

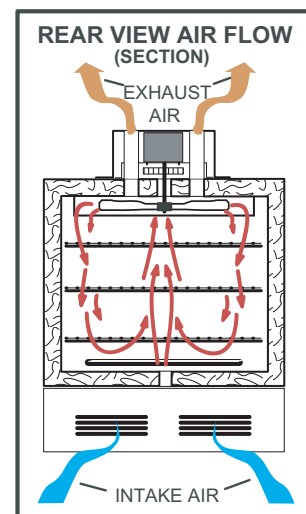
MINIMUM CLEARANCES



'GC' MODEL AIR FLOW



'AF' MODEL AIR FLOW



**PERFORMANCE CHARACTERISTICS	MODEL 10GC	MODEL 20GC	MODEL 30GC	MODEL 40GC	MODEL 10AF	MODEL 20AF	MODEL 30AF	MODEL 40AF
TEMPERATURE STABILITY								
@ 150°C	+/- 3.0°C	+/- 3.0°C	+/- 3.0°C	+/- 3.0°C	+/- 3.0°C	+/- 3.0°C	+/- 3.0°C	+/- 3.0°C
@ 300°F	+/- 6.0°F	+/- 6.0°F	+/- 6.0°F	+/- 6.0°F	+/- 6.0°F	+/- 6.0°F	+/- 6.0°F	+/- 6.0°F
TIME TO TEMPERATURE								
AMBIENT TO 100°C	6 Min.	6.5 Min.	6 Min.	6 Min.	7.5 Min.	9 Min.	7 Min.	9 Min.
AMBIENT TO MAX	22 Min.	25 Min.	23 Min.	28 Min.	31 Min.	37 Min.	22 Min.	39 Min.
RECOVERY @150°C								
DOOR OPEN 15 SEC.	3.5 Min.	5 Min.	4 Min.	6 Min.	2.5 Min.	7 Min.	3 Min.	6 Min.
DOOR OPEN 30 SEC.	6 Min.	6 Min.	6 Min.	9 Min.	3.5 Min.	11 Min.	5 Min.	8 Min.

** PERFORMANCE CHARACTERISTICS FOR STANDARD VOLTAGE MODELS, ALTERNATE VOLTAGE MODELS MAY VARY. ALL TESTS CONDUCTED UNDER CONTROLLED LABORATORY CONDITIONS.



GENERAL DE APARATOS ANALÍTICOS MÉDICOS SA DE CV
 Av. Rio Blanco No. 779 C.P. 45130
 Fracc. Mirador de San Isidro, Zapopan, Jal.
 e-mail: ventas@gaamsa.com
 01-800-111-8899 / 01-800-654-1673